

Product Data Sheet

**F Type integrally forged DBB Valve
Flange to Pipe**



Machined from a single piece of 'grain flow controlled' forging, this valve features two inline ball pattern primary and secondary isolating valves and a heavy-duty ball vent valve.

Ball valve bore sizes from 10mm, 14mm and 20mm (0.4" to 0.8").

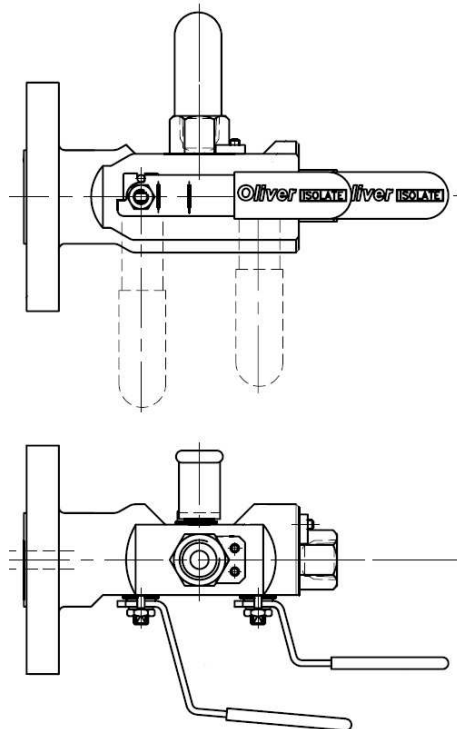
Key Features of the Oliver F Type DBB Valve Flange to Pipe

- Compact 'grain controlled' forged double block and bleed valve
- Anti-blow out spindle
- Reduced bore ball valve
- Each valve traceable by unique number

Standard Specification

- Maximum rating 2500lb class
- Maximum temperature 240°C
- Soft seated ball valve

General Arrangement Drawing



Ordering Code

(Typical example) → DBB/F / S / X / 10 – 1500 RTJ / 50F/50F / FS/HL/NA
Model / Type

Integral flange, 3 ball in line pattern

Material

S – Stainless steel – (forged) ASTM A182 F316
C – Carbon steel (forged) ASTM A350 LF2
Other materials available on request

Bore

X – 10mm
Y – 14mm
Z – 20mm

Flange details

Flange size

50 - ½"
75 - ¾"
100 - 1"
150 - 1½"
200 - 2"
300 - 3"

Flange class

150 – 150lb
300 – 300lb
600 – 600lb
900 – 900lb
1500 – 1500lb
2500 – 2500lb

Flange type

RTJ – Ring type joint
RF – Spiral finish raised face

Instrument / Vent

Connection size

50 - ½" (std process/instrument & vent)
75 - ¾"

Process connection (NPT standard)

BP – BSP parallel pipe thread BS2779-1986
BT – BSP taper pipe thread BS21 - 1985

Connection type

F – Female thread (std instrument/vent)

Options

HL – Handle locking

Standard

NA – NACE MR-01-75 (latest revision)
FS – Firesafe to API 607 and BS 6755 Part 2

Rev 1.1