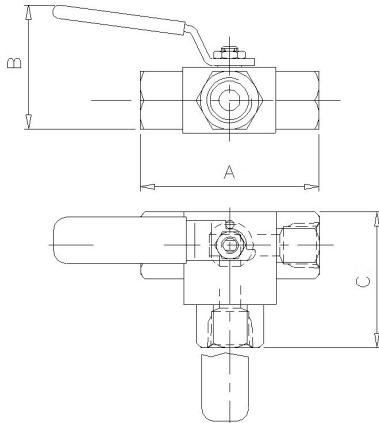


Product Data Sheet

B6SL Type Ball Valve



The 'B6SL' Type 3 way Flow Diverting Ball Valve is designed for safely diverting flow to one of the two outlet ports. Totally enclosed soft seats offer both positive sealing and low operating torques, from vacuum to high-pressure service. Anti-blow out spindle is fitted as standard with the PTFE spindle and body seals.

Part No.	Connections Size	A	B	C	Weight (Kgs)
B6SLX25	1/4"	3.4	1.3	2.4	0.8
B6SLX38	3/8"	3.4	1.3	2.4	0.8
B6SLX50	1/2"	3.4	1.3	2.4	0.8

Key Features of the Oliver Three Way Ball Valve range

- Totally enclosed soft seats giving positive sealing and low torque operation across the pressure range
- One-piece spindle with anti-blowout shoulder that maintains seal integrity at all pressures
- Precision-machined ball for smooth operation through 90 degrees with 10mm 'L' pattern bore
- PTFE spindle and body seals to give high body integrity
- 316 stainless steel one-piece handle fitted with twin anti-vibration locknuts

Standard Specification

Pressure: 6000psi	Seals: PTFE	Seats: PTFE/PVDF or PTFE/KEL-F
Temp: 120 deg C (PTFE/PVDF) or 200 deg C (PTFE/KEL-F and PEEK)	Thread form: NPT	Handle: Lever

Ordering Code

(Typical example) → **B6SLX 50 S / BT / HL**

Type

B6 = Ball valve 6000 psi
SL = Side Entry L port
X = 10mm bore

Size (10mm bore size only)

25 - 1/4"
38 - 3/8"
50 - 1/2"

Material

S - 316S31 Stainless Steel
M - Monel (400)
HC - Hastalloy C276
(Others available)

Optional Connections (NPT Standard)

BT - BSP Taper
BP - BSP Parallel (top sealing)

Options

HL - Handle Locking
KF - PTFE/Kel-F seats (10mm only)
NA - NACE MR-01-75 (latest revision)

PE - Pinned End Connectors (prevents accidental removal)
PMHB - 4 x M5 mounting holes in base for panel mounting
PMHT - 4 x M5 mounting holes in top for panel mounting